

## CHAPTER 7 **Parts List**

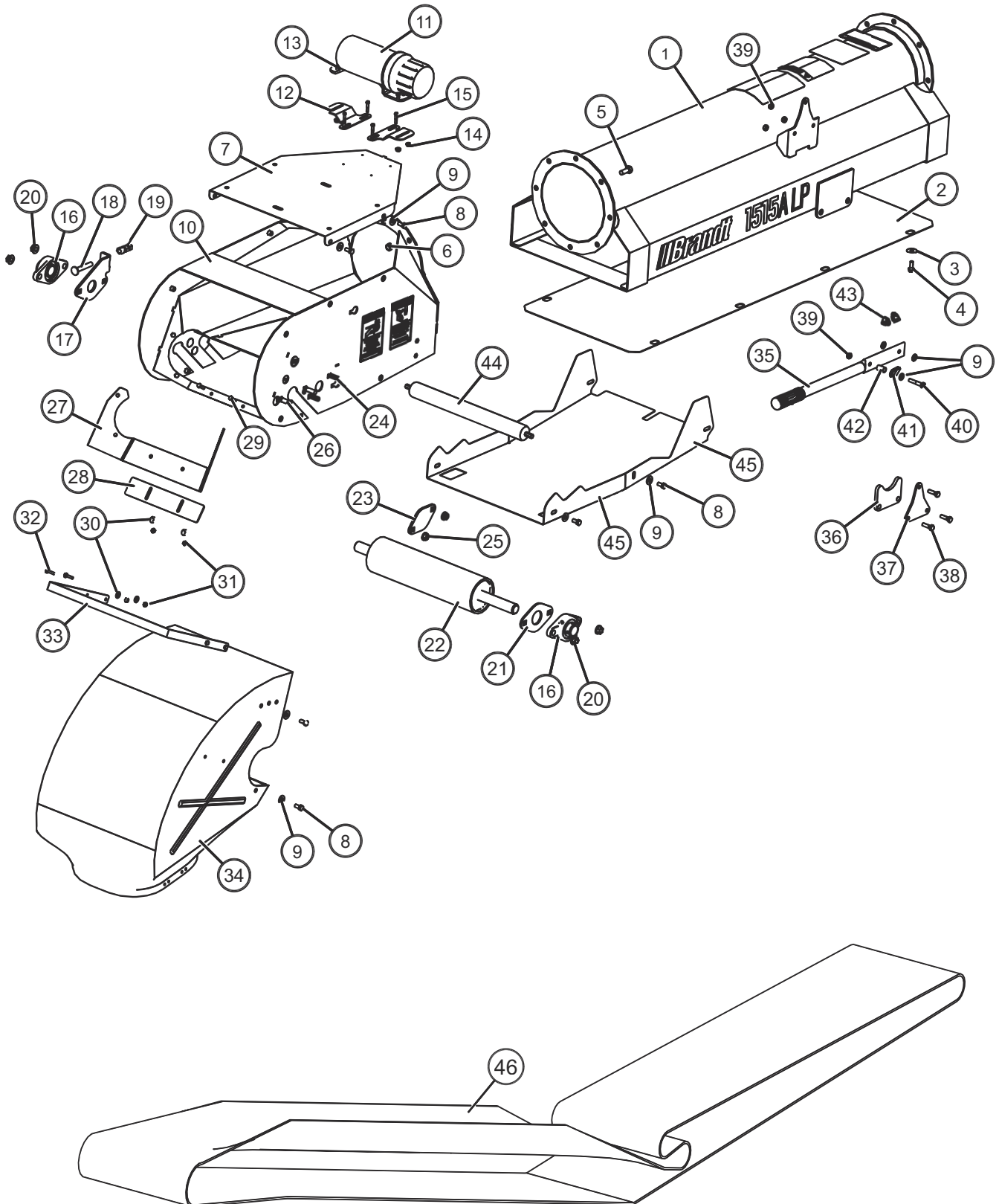
# **Serial No. 126000 - Present**

### **7.1 Drawing List**

1. Tube and Discharge Assembly on page 62
2. Low Profile Intake Parts on page 64
3. Small Wheel Undercarriage Parts on page 66
4. Large Wheel Undercarriage Parts on page 67
5. Hydraulic Drive Kit on page 68
6. Electric Drive Kit on page 70
7. Gas Engine Drive Kit on page 72

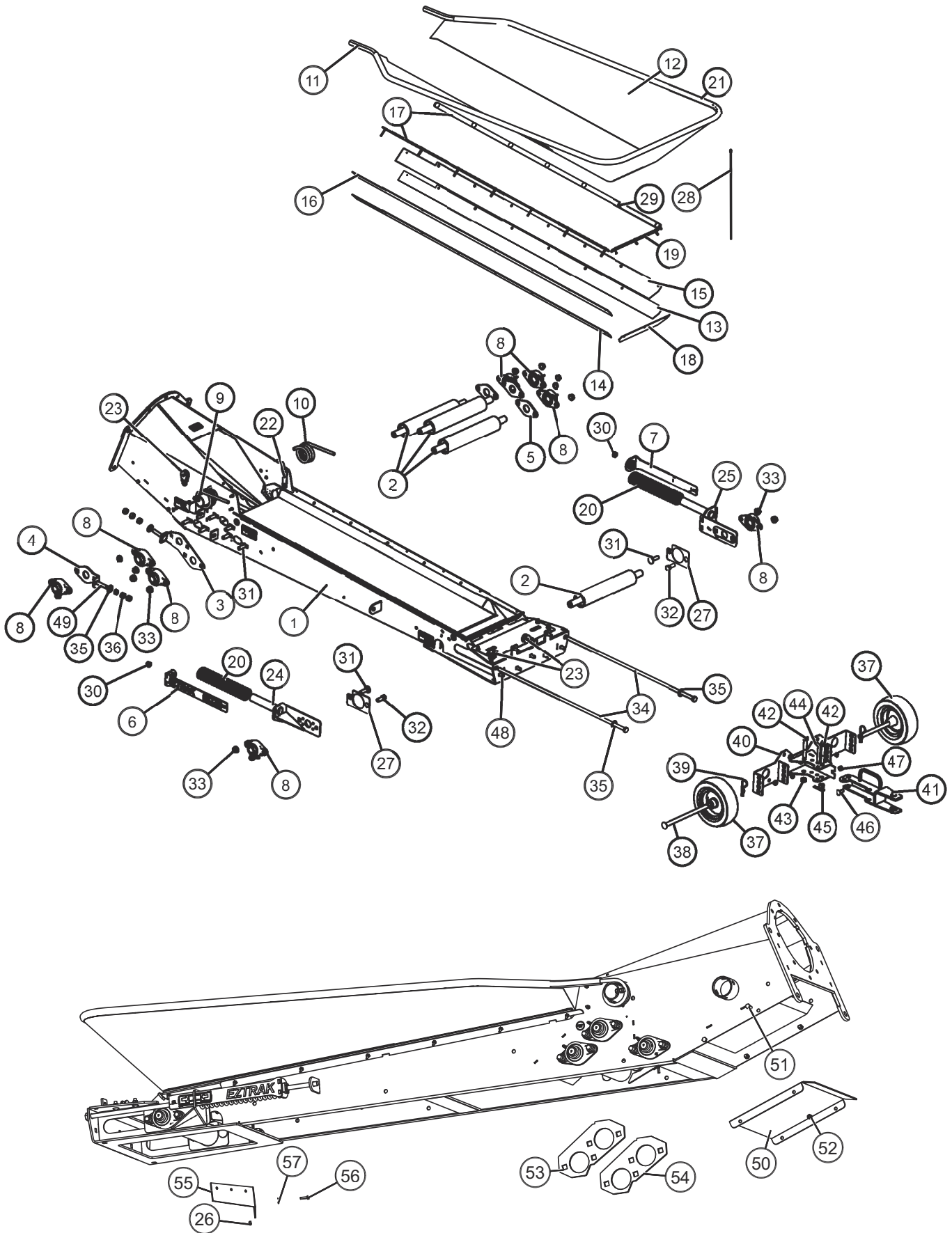
<sup>NS</sup> Items not shown in drawing.

## Tube and Discharge Assembly



REF	PART No.	DESCRIPTION	QTY	REF	PART No.	DESCRIPTION	QTY
1	C2179616A	TRANSFER TUBE C/W DECALS	1	31	B001124	1/4" LOCK NUT	10
2	C2179618	WIND GUARD	1	32	B001003	1/4" x 1" BOLT	4
3	B0011499	FLAT WASHER - 1 1/4" OD x 3/8" ID	8	33	C200641	DISCHARGE HANDLE	1
4	B001433	3/8" x 1" SEERATED FLANGE BOLT	8	34	B027600	PLASTIC DISCHARGE SPOUT	1
5	B001040	1/2" x 1 1/4" BOLT - GR.5	8	35	C2149041	HOPPER HANDLE	1
6	B001134	1/2" STOVER LOCK NUT	8	36	C2158136	HANDLE SPACER PLATE	1
7	C200633	UPPER DISCHARGE COVER	1	37	C2158068	HANDLE OUTER PLATE	1
8	B001023	3/8" x 3/4" BOLT - GR.5	12	38	B001025	3/8" x 1 1/4" BOLT - GR.5	3
9	B001149	3/8" FLAT WASHER	15	39	B0011325	3/8" STOVER LOCK NUT	3
10	C2149006A	DISCHARGE WELDMENT	1	40	B001028	3/8" x 2" BOLT - GR.5	1
11	B0275102	PLASTIC MANUAL HOLDER	1	41	B008061	3/16" CABLE THIMBLE	1
12	C314500	MANUAL HOLDER BRACKET	2	42	B002310	BUTTITE SPACER - 5/8" OD x 1" LONG	1
13	B001002	1/4" x 3/4" BOLT - GR.5	3	43	B008060	3/16" CABLE CLAMP	2
14	B0011246	1/4" LOCKING FLANGE NUT	3	44	B021250	RETURN ROLLER	1
15	B0020358	1/4" x 1 1/4" TEK SCREW	4	45	C214605	LOWER DISCHARGE COVER	1
16	B0172015	1 1/4" BEARING - 2 BOLT	2	46	B018619	RUBBER BELT - 15" WIDE x 34'0"	1
17	C2149007	ADJUSTABLE SHAFT GUARD	1	NS	C204176	15" BELT LACING KIT	AR
18	B001091	1/2" x 3" CARRAIGE BOLT - FULL THR.	1	NS	C204584	15" LACING PIN KIT	AR
19	B001135	1/2" HEX NUT	3	NS	B018623	RUBBER BELT - 15" WIDE x 5' LONG	AR
20	B001409	1/2" SERRATED FLANGE NUT	4	NS	B018612	RUBBER BELT - 15" WIDE x 10' LONG	AR
21	C200609	HOUSING COVER	1				
22	C2179558	DISCHARGE ROLLER - LAGGED	1				
23	C2149049	WRAP ROLLER HOLE COVER	2				
24	B0010857	7/16" x 1 1/2" CARRIAGE BOLT	4				
25	B001407	7/16" SERRATED FLANGE NUT	4				
26	B001089	1/2" x 1 3/4" CARRIAGE BOLT	4				
27	B027608	DISCHARGE WIPER	1				
28	C2168199	DISCHARGE WIPER BACKING PLATE	1				
29	B001003	1/4" x 1" BOLT - GR.5	6				
30	B001147	1/4" FLAT WASHER	10				

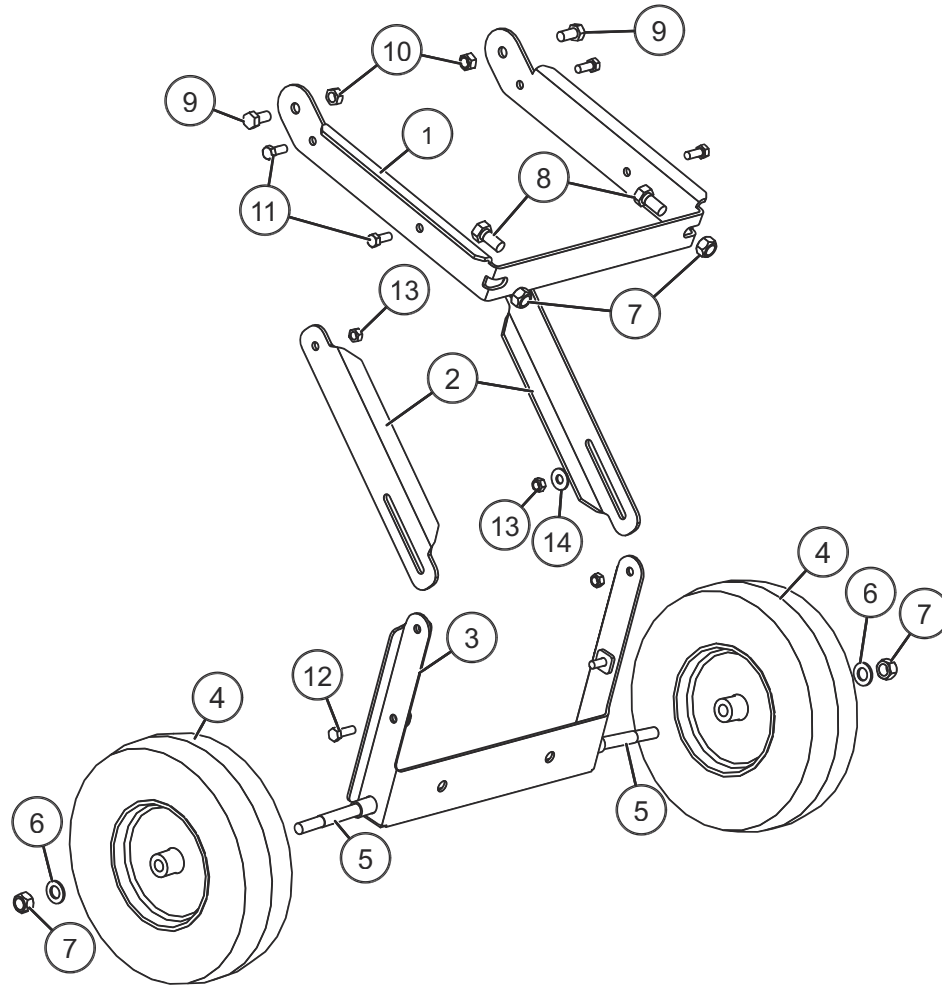
# Low Profile Intake Parts





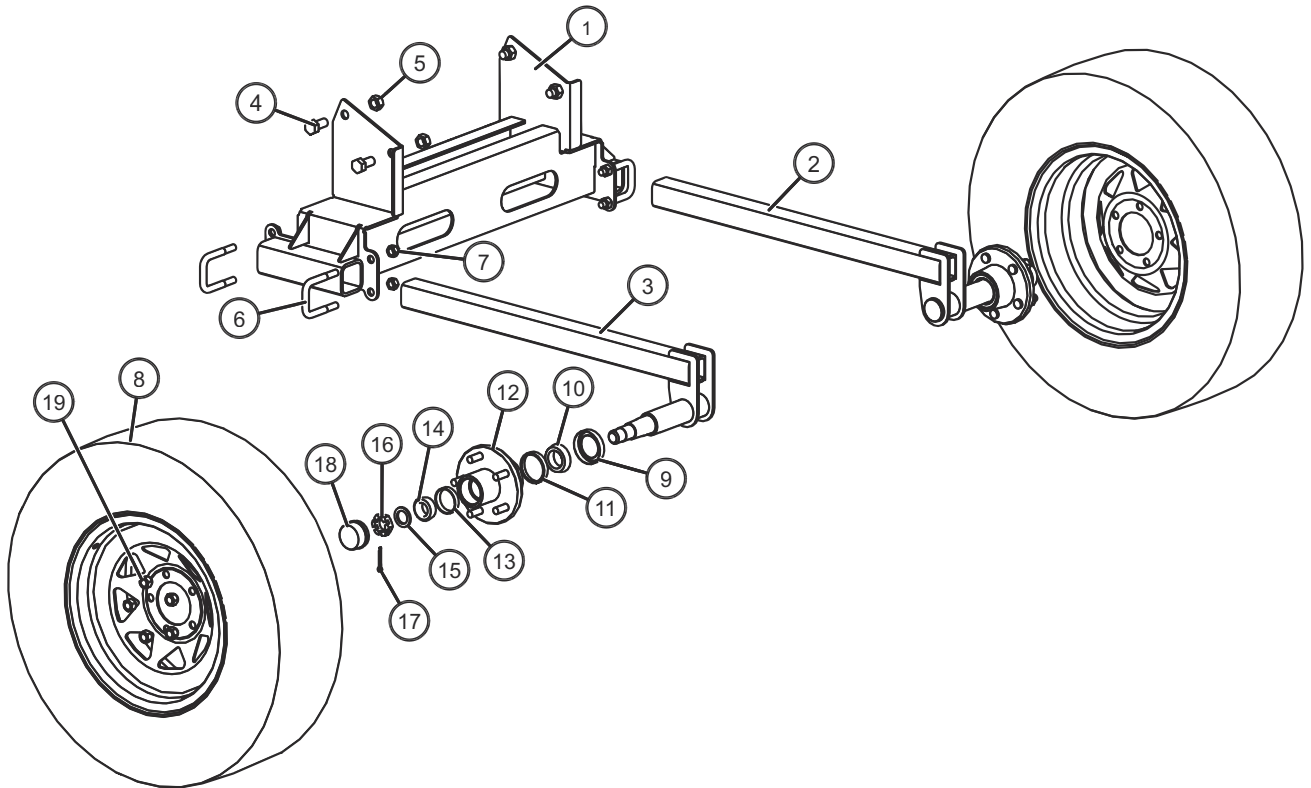
REF	PART NO.	DESCRIPTION	QTY	REF	PART NO.	DESCRIPTION	QTY
1	C2179537	LP INTAKE WELDMENT	1	31	B0010939	5/8" x 2" CARRIAGE BOLT	14
2	C215030	INTAKE ROLLER	4	32	B001069	5/8" x 1 1/2" BOLT - GR.5	2
3	C2137860	INTAKE ROLLER ADJUSTER	1	33	B001410	5/8" SERRATED FLANGE NUT	16
4	C211615	SHAFT GUARD	1	34	B0026019	5/8" TENSIONER BOLT	2
5	C2147927	BEARING SPACER	3	35	B001157	3/4" SAE FLAT WASHER	4
6	C2179539L	LEFT TENSION INDICATOR	1	36	B001139	5/8" HEX NUT	6
7	C2179539R	RIGHT TENSION INDICATOR	1	37	B011046	10" HOPPER TIRE & WHEEL	2
8	B0172015	1 1/4" BEARING - 2 BOLT	8	38	C201300	HOPPER WHEEL PIN	2
9	B021740L	LEFT HOPPER SPRING	1	39	B002091	LARGE HAIR PIN CLIP	2
10	B021740R	RIGHT HOPPER SPRING	1	40	C2179613	HOPPER WHEEL FRAME	1
11	C2158011	HOPPER RAIL	1	41	C2179617A	HITCH	1
12	B021415	HOPPER FABRIC	1	42	B001074	5/8" x 4" BOLT - GR.5	2
13	B027561R	LOWER HOPPER FLASHING - RIGHT	1	43	B0011415	5/8" LOCK NUT	2
14	B027561L	LOWER HOPPER FLASHING - LEFT	1	44	B002030	1/2" x 4" L-PIN	1
15	B027562R	UPPER HOPPER FLASHING - RIGHT	1	45	B002094	SMALL HAIR PIN CLIP	1
16	B027562L	UPPER HOPPER FLASHING - LEFT	1	46	B0010875	1/2" x 1 1/4" CARRIAGE BOLT	1
17	C2137862	INTAKE FABRIC STRAP	2	47	B001134	1/2" LOCK NUT	8
18	B027563	HOPPER END FLASHING	1	48	B001087	1/2" x 1 1/4" CARRIAGE BOLT	7
19	C2158012	INTAKE FABRIC END STRAP	1	49	B0010951	5/8" x 3" CARRIAGE BOLT	2
20	B0210731	BELT TAKE-UP SPRING	2	50	C2158013	EZTRAK BOTTOM PLATE	1
21	B024085	INTAKE RAIL CONDUIT	1	51	B001024	3/8" x 1" BOLT - GR.5	4
22	C211796	HOPPER FABRIC SHORT CLAMP	2	52	B0011325	3/8" LOCK NUT	4
23	B008097	PULLEY BLOCK	3	53	B027569R	S-ROLLER FLASHING - RIGHT	1
24	C2179541L	LEFT INTAKE TENSIONER	1	54	B027569L	S-ROLLER FLASHING - LEFT	1
25	C2179541R	RIGHT INTAKE TENSIONER	1	55	B027564	INTAKE DOZER FLASHING	1
26	B001124	1/4" LOCK NUT	6	56	B001003	1/4" x 1" BOLT - GR.5	6
27	C2179543	TENSION RETAINER PLATE	2	57	B001147	1/4" FLAT WASHER	6
28	B008405	3/16" CABLE x 14' 7"	1				
29	B002224	1/4" x 1 3/4" ELEVATOR BOLT	17				
30	B001139	5/8" HEX NUT	2				

## Small Wheel Undercarriage Parts



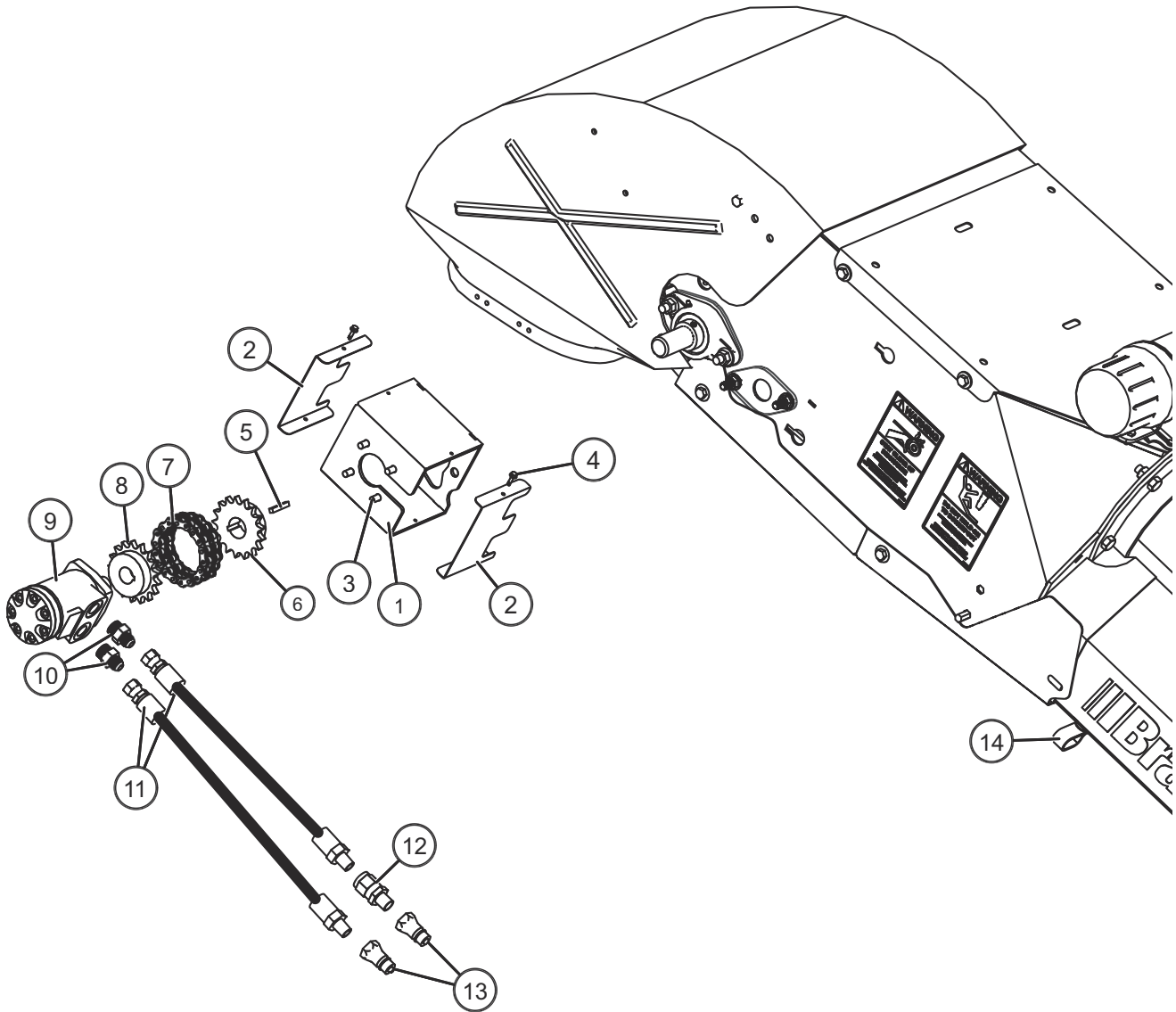
REF #	PART NO.	DESCRIPTION	QTY
1	C2179676	UNDERCARRIAGE BASE	1
2	C2179677	UNDERCARRIAGE LINK	2
3	C2179675	AXLE FRAME	1
4	B011211	4.80 - 8 TIRE & RIM	2
5	B001112	3/4" x 7" BOLT - GR.5	2
6	B001157	3/4" FLAT WASHER	2
7	B001154	3/4" LOCK NUT	4
8	B001099	3/4" x 1 1/2" BOLT - GR.5	2
9	B001068	5/8" x 1 1/4" BOLT	2
10	B0011415	5/8" LOCK NUT	2
11	B001040	1/2" x 1 1/4" BOLT - GR.5	4
12	B001041	1/2" x 1 1/2" BOLT - GR.5	2
13	B001134	1/2" LOCK NUT	6
14	B001151	1/2" FLAT WASHER	2

## Large Wheel Undercarriage Parts



REF #	PART NO.	DESCRIPTION	QTY
1	C2179624	UNDERCARRIAGE BASE	1
2	C2179621	AXLE WELDMENT - RIGHT	1
3	C2179620	AXLE WELDMENT - LEFT	1
4	B001068	5/8" x 1 1/4" BOLT - GR.5	4
5	B0011415	5/8" LOCK NUT	4
6	B002014	1/2" x 2" U-BOLT x 3" LONG	4
7	B001134	1/2" LOCK NUT	8
8	B011209	ST205/75D15 TIRE & RIM	2
9	B0116406	GREASE SEAL	1 per hub
10	B0116403	INNER BEARING CONE	1 per hub
11	B0116402	INNER BEARING CUP	1 per hub
12	B0116401	HUB ONLY - 5 BOLT HUB	1 per hub
NS	B0116409	WHEEL STUD	5 per hub
13	B0116404	OUTER BEARING CUP	1 per hub
14	B0116405	OUTER BEARING CONE	1 per hub
15	B002073	1 1/2" OD x 1" ID MACHINERY BUSHING	1 per hub
16	B001525	1" - 14 SLOT NUT	1 per hub
17	B002047	3/16" x 1 1/4" COTTER PIN	1 per hub
18	B00116407	DUST CAP	1 per hub
19	B0116408	WHEEL NUT	5 per hub

## Hydraulic Drive Kit

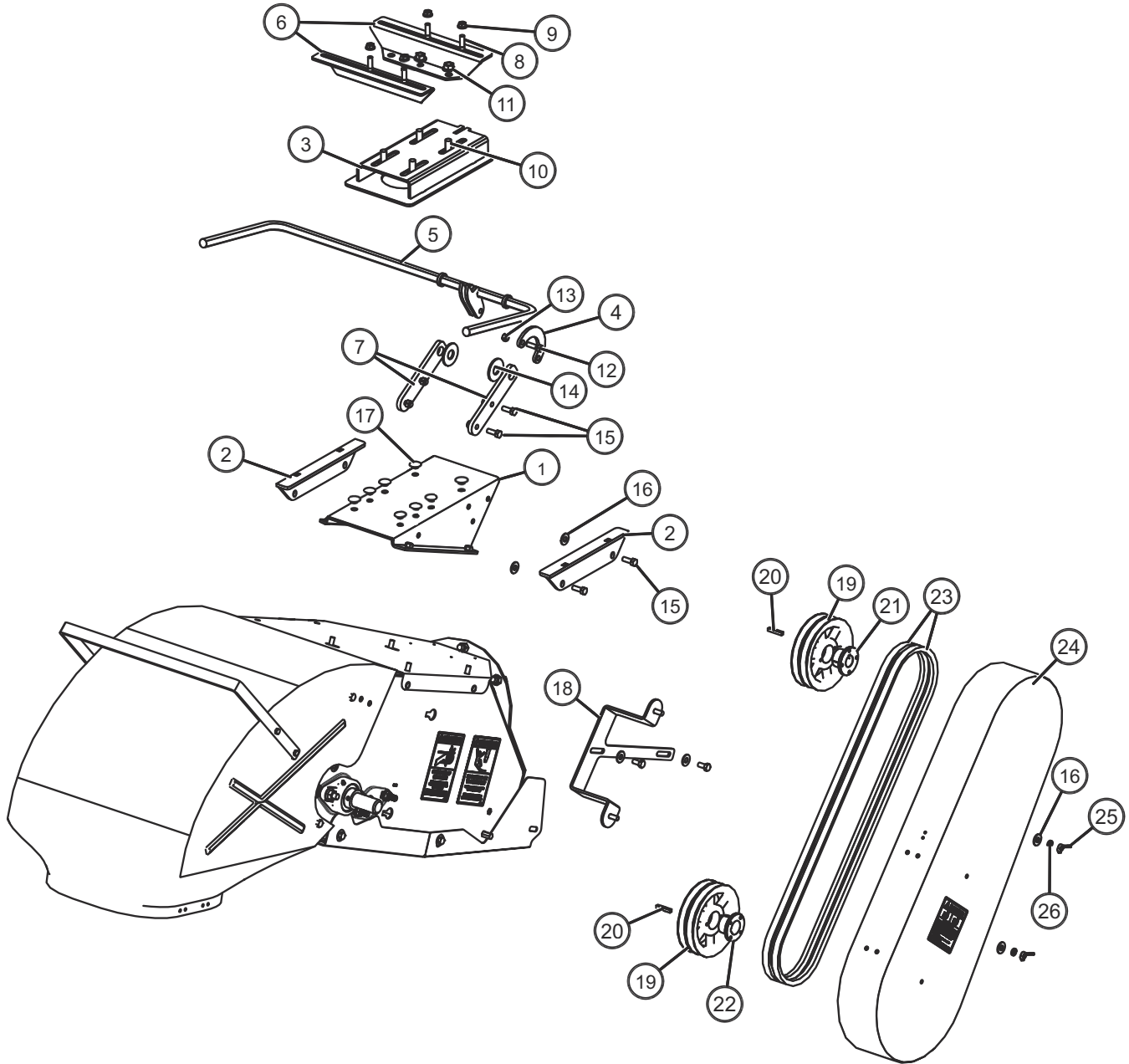


REF #	PART NO.	DESCRIPTION	QTY
1	C203116	HYDRAULIC MOTOR MOUNT	1
2	C203117	MOTOR MOUNT COVER	2
3	B001432	3/8" x 3/4" SERRATED FLANGE BOLT	4
4	B002036	#10 x 5/8" TEK SCREW	4
5	B689169	1/4" KEY x 1 1/2" LONG	1
6	B009409	50-17 SPROCKET - 1 1/4" BORE	1
7	B009601	50-2 x 17 PITCH ROLLER CHAIN	1
8	B009410	50-17 SPROCKET - 1" BORE	1
9	B0190435	HYDRDRAULIC MOTOR - 5.9 cu.in/rev	1
10	B019434	#10 MORB x #8 MJIC ADAPTER	2
11	B0192679	3/8" HYDRA. HOSE x 19'6"	2
12	B019537	CHECK VALVE - 1/2" NPT	1
13	B019200	MALE PIONEER TIP - 1/2" FPT	2
14	B021608	DUAL P-CLIP	1



REF #	PART No.	DESCRIPTION	QTY
1	C200658	MOTOR MOUNT	1
2	C200655	MOTOR RAIL	2
3	C200656	MOTOR BASE	1
4	C200657	MOTOR LINK	1
5	C200659	TENSION HANDLE	1
6	C200657	MOTOR MOUNT BRACKET	2
7	B0180112	1BK45H PULLEY	1
8	B018020	H 1 1/8" TAPERED HUB	AR
8	B0180205	H 1 3/8" TAPERED HUB	AR
9	B001082	3/8" x 1" CARRIAGE BOLT	8
10	B0011325	3/8" LOCK NUT	21
11	B001025	3/8" x 1 1/4" BOLT - GR.5	3
12	B001023	3/8" x 3/4" BOLT - GR.5	8
13	B027500	SLIDER BUSHING	6
14	C203122	GUARD LATCH	1
15	B0219992	RUBBER LATCH	1
16	C2149011	GUARD BACK	1
17	B0010819	3/8" x 3/4" CARRIAGE BOLT	2
18	B001003	1/4" x 1" BOLT - GR.5	2
19	B001124	1/4" LOCK NUT	2
20	B018079	B-67 BELT	1
21	B0180301	1BK120H PULLEY	1
22	B0180206	H 1 1/4" TAPERED HUB	1
23	C203119	PULLEY GUARD ASSEMBLY	1

# Gas Engine Drive Kit





REF #	PART No.	DESCRIPTION	QTY
1	c206658	ENGINE MOUNT	1
2	C205655	MOTOR RAIL	2
3	C206656	MOTOR BASE	1
4	C200657	MOTOR LINK	1
5	C205019	ENGINE BASE HANDLE	1
6	B695298	MOTOR MOUNT	2
7	C2060021	PIVOT TAB	2
8	B001083	3/8" x 1 1/2" CARRIAGE BOLT	4
9	B001405	3/8" SERRATED FLANGE NUT	4
10	B001453	1/2" x 1" SERRATED FLANGE BOLT	4
11	B001409	1/2" SERRATED FLANGE NUT	4
12	B001025	3/8" x 1 1/4" BOLT - GR.5	2
13	B0011325	3/8" LOCK NUT	14
14	B001155	3/4" FLAT WASHER	2
15	B001024	3/8" x 1" BOLT - GR.5	8
16	B001149	3/8" FLAT WASHER	6
17	B027500	SLIDER BUSHING	8
18	C2060009	GUARD MOUNT	1
19	B0180316	2BK67H PULLEY	2
20	B689169	1/4" KEY x 1 1/2" LONG	2
21	B018019	H 1" TAPERED HUB	1
22	B0180206	H 1 1/4" TAPERED HUB	1
23	B018049	B-70 BELT	2
24	B027522	PLASTIC BELT GUARD	1
25	B0011327	3/8" WING NUT	2
26	B001165	3/8" LOCK WASHER	2

